

# IWM Series and IDM4018 Mount

## WALL MOUNT, SPECTRA®, DF5, AND DF8 SERIES DOME

### Product Features

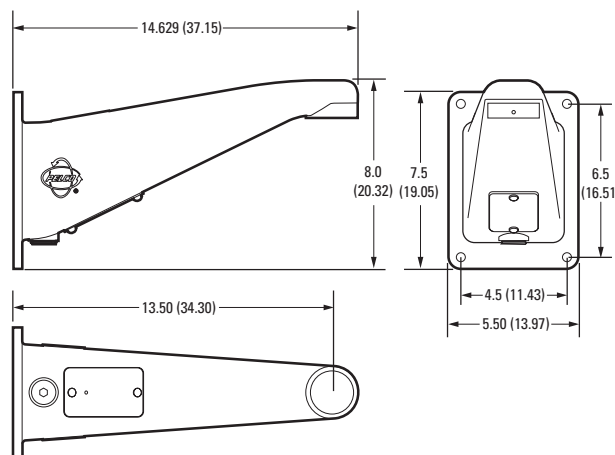
- For Use with Spectra®, DF5, and DF8 Series Pendant Domes; Can Also Be Used with Other Pendant Domes using 1.5-inch NPT Threaded Pipe for Mounting
- Constructed of Aluminum (IDM4018) and Cast Aluminum (IWM Series)
- Mounts Directly to Vertical Load-Bearing Surface for Wall Mount Applications
- Supports up to 75 Pounds (34 kg)
- Includes Cable Feedthrough Hole
- IWM24 Series Includes Integral 24 VAC, 100 VA Transformer for Use with Spectra Series Domes
- Optional Parapet, Pole, and Corner Adapters Are Available

The **IWM Series** and **IDM4018** wall mounts are designed primarily for use with Spectra®, DF5, and DF8 Series pendant domes. They can also be used with other pendant domes that utilize 1.5-inch NPT pipe for mounting.

The **IDM4018** is constructed of aluminum and has a gray polyester powder coat finish. The **IWM Series** is constructed of cast aluminum and is available in a black or gray finish. The **IWM Series** is available in black or gray and includes an integral 24 VAC, 100 VA transformer. Input power (120 or 240 VAC, 50/60 Hz) is selectable via an internal slide switch which is easily accessible through a front access cover plate. Input wiring can enter the arm from openings in the mounting plate or flexible metal conduit fitting may be installed on the bottom of the mount. All mounts are designed to support up to 75 pounds (34 kg).

Both mounts are threaded for 1.5-inch NPT pipe, ready to accept a Spectra, DF5, or DF8 Series pendant back box.

The **IWM Series** and **IDM4018** can be attached directly to any vertical load-bearing surface. Optional parapet, pole, and corner adapters are available.



NOTE: VALUES IN PARENTHESES ARE CENTIMETERS; ALL OTHERS ARE INCHES.



# TECHNICAL SPECIFICATIONS

## MODELS

IWM-BK	Wall mount with cable feedthrough for use with Spectra, DF5, and DF8 Series pendant domes; black finish.
IWM-GY	Same as IWM-BK except gray finish.
IWM24-BK	Wall mount with cable feedthrough for use with Spectra, DF5, and DF8 Series pendant domes; includes integral 24 VAC, 100 VA transformer; black finish.
IWM24-GY	Same as IWM24-BK except gray finish.
IDM4018	Wall mount with removable front end cap and feedthrough capabilities for use with Spectra, DF5, and DF8 Series pendant domes.

## ELECTRICAL

### (IWM24 Series Only)

Input Power	120/240 VAC, 50/60 Hz, switchable via an internal slide switch
Output Power	24 VAC, 100 VA transformer
Fuse	One 1.6 A, 120 VAC, fast acting One 500 mA, 240 VAC, fast acting

## GENERAL

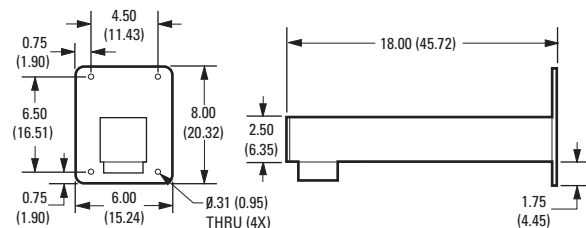
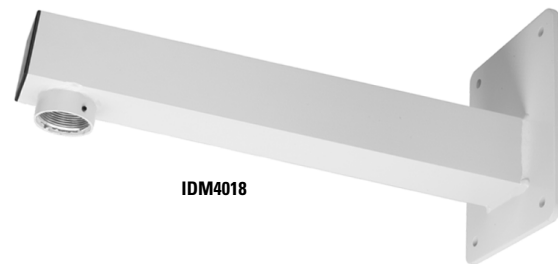
Suggested Mounting Method	
IWM Series	Secure with four 3/8-inch fasteners (not supplied) suitable for the mounting surface
IDM4018	Secure with four 5/16-inch fasteners (not supplied) suitable for the mounting surface
Dome Mounting	Dome screws directly into mount
Cable Entry	
IWM Series and IDM4018	One cable feedthrough hole in mounting plate
IWM24 Series	Two cable feedthrough holes in mounting plate; can accommodate 1/2-inch (1.27 cm) conduit fittings or PG13.5 liquid-tight gland fittings. One 3/4-inch (1.91 cm) conduit opening on the bottom of mount arm for flexible metal conduit connectors
Maximum Load	75 lb (34 kg)
Effective Projected Area (EPA)	
IWM Series	~48 square inches
IDM4018	~54 square inches
Construction	
IWM Series	Cast aluminum
IDM4018	5052H32 Aluminum
Finish	
IWM-BK	Black polyester powder coat
IWM-GY	Gray polyester powder coat
IWM24-BK	Black polyester powder coat
IWM24-GY	Gray polyester powder coat
IDM4018	Gray polyester powder coat
Environment	Indoor/outdoor
Unit Weight	
IWM Series	2.46 lb (1.12 kg)
IWM24 Series	6.58 lb (2.98 kg)
IDM4018	4.00 lb (1.81 kg)
Shipping Weight	
IWM Series	7 lb (3.17 kg)
IWM24 Series	11 lb (4.98 kg)
IDM4018	6 lb (2.71 kg)

## CERTIFICATIONS/RATINGS

- CE compliant (IWM24-BK and IWM24-GY only)
- UL Listed (IWM Series only)
- UL Listed to Canadian safety standards (IWM Series only)
- Meets NEMA Type 4 Standards (IWM Series only)

## OPTIONAL MOUNT ADAPTERS

<b>Corner</b> CM400	Corner mount adapter; use with IDM4018 and IWM Series
<b>Pole</b> PA402	Pole mount adapter; use with IDM4018 and IWM Series
<b>Parapet</b> PP300L/PP301L	Parapet corner adapter; use with IWM-GY (Spectra and DF5 pendant domes only)
PP400	Parapet wall adapter; use with IDM4018 and IWM Series
PP4348	Rooftop parapet adapter; use with IDM4018 and IWM Series



NOTE: VALUES IN PARENTHESES ARE CENTIMETERS;  
ALL OTHERS ARE INCHES.



**Pelco, Inc. Worldwide Headquarters:**  
3500 Pelco Way, Clovis, California 93612-5699 USA  
**USA & Canada** Tel: (800) 289-9100 • FAX: (800) 289-9150  
**International** Tel: +1 (559) 292-1981 • FAX: +1 (559) 348-1120  
[www.pelco.com](http://www.pelco.com)

Pelco, the Pelco logo, and Spectra are registered trademarks of Pelco, Inc.  
Product specifications and availability subject to change without notice.  
©Copyright 2006, Pelco, Inc. All rights reserved.