

# WCS Series Power Supply

## 24 VAC POWER SUPPLY, OUTDOOR

### Product Features

- 4 or 20 A Capacities
- 1–4 Outputs
- 120 VAC or 240 VAC Selectable Input
- 24 VAC Output or 28 VAC Output for Longer Wire Runs
- Meets NEMA Type 4X/IP66 Standards for Weatherproof Enclosure
- AC Power Indicator with Power On/Off Switch
- Compatible with Cameras, Domes, and Pan/Tilts
- WCS4-20B Has Class 2 Rated Outputs



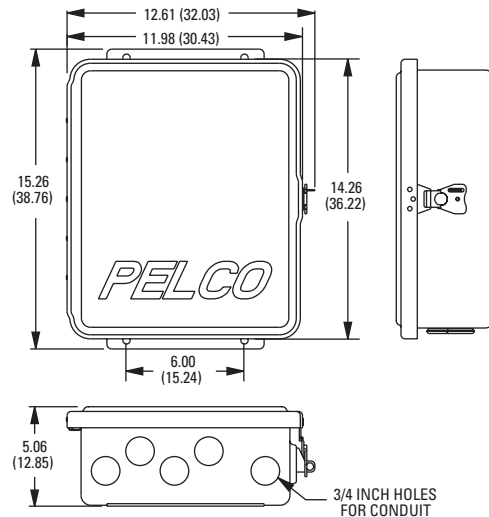
WCS4-20/WCS4-20B

Power supplies in the **WCS Series** offer a variety of configurations for powering up to four outdoor units from a single power source.

The power supplies provide 24 VAC output for 1–4 units, depending on the model selected. To compensate for voltage losses over long wire runs, 28 VAC outputs also are available on the **WCS4-20**. The power supplies have a selectable input of 120 or 240 VAC.

For integrated systems such as Spectra® and Esprit®, the power supplies are capable of handling pan/tilt, heater, and blower operation in addition to the camera.

The **WCS1-4** has one fused output and is capable of handling up to 4 A (100 VA) of total load. The **WCS4-20** is a four-output supply capable of handling up to 20 A (480 VA) of total load. This model is available with either fuses or self-resetting circuit breakers on each output. Fuses provide a greater degree of protection for the unit because they are faster acting and more precise. Circuit breakers will self-reset when the fault is corrected, eliminating the need for replacing fuses. However, the amount of current required to trip a circuit breaker can vary as much as 100 percent, depending on temperature. In the fused models, the values of fuses can be changed depending upon the specific current requirements of the equipment connected.



NOTE: VALUES IN PARENTHESES ARE CENTIMETERS; ALL OTHERS ARE



C654 / REVISED 5-30-08

IP66



International Standards Organization Registered Firm; ISO 9001 Quality System



# TECHNICAL SPECIFICATIONS

## MODELS

WCS1-4	Outdoor camera power supply, 100/120/240 VAC input. One 24/26/28 VAC output, total current capacity of 4 A (100 VA).
WCS4-20	Outdoor multiple camera power supply, 120/240 VAC input. Four fused 24/28 VAC outputs, total current capacity of 20 A (480 VA).
WCS4-20B	Outdoor multiple camera power supply, 120/240 VAC input. Four fused 24/28 VAC outputs, total current capacity of 12A (288 VA) with circuit breakers.

### Product Capacity Chart

A partial list of compatible products and the number of units that may be powered by each power supply are listed below. Capacity is based on the VA rating of each product to be used with the power supply.

Product	Power Supply Model		
	WCS1-4 (100 VA)	WCS4-20 (480 VA)	WCS4-20B (288 VA)
CCD Camera (12 VA max)	1	4	4
Indoor Spectra (25 VA)	1	4	4
Outdoor Spectra (70 VA)	1	4	4
Outdoor DF5 (62 VA)	1	4	4
Esprit (70 VA)	1	4	4

## MECHANICAL

Cable Entry	Hole plugs for 0.75-inch (1.9 cm) conduit
Latch	Stainless steel link-lock latch; can be secured with padlock (not supplied)

## ELECTRICAL

Input Voltage	100/120/240 VAC, 50/60 Hz
WCS1-4	100/120/240 VAC, 50/60 Hz
WCS4-20/WCS4-20B	120 or 240 VAC, 50/60 Hz
Output Voltage	
WCS1-4	4/26/28 VAC
WCS4-20	4/28 VAC
WCS4-20B	3A*
Required Input Current	1 A
Output Fuse/ Circuit Breaker Ratings	
WCS1-4	4 A*
WCS4-20	8 A*
WCS4-20B	3A*
Input Connectors	Screw-type barrier strips
Output Connectors	Screw-type barrier strips; WCS4-20B is suitable for Class 2 wiring
Input Wire Size	12–16 gauge solid wire
Output Wire Size	
WCS1-4	16–20 gauge solid or stranded wire
WCS4-20/-20B	16–22 gauge solid or stranded wire

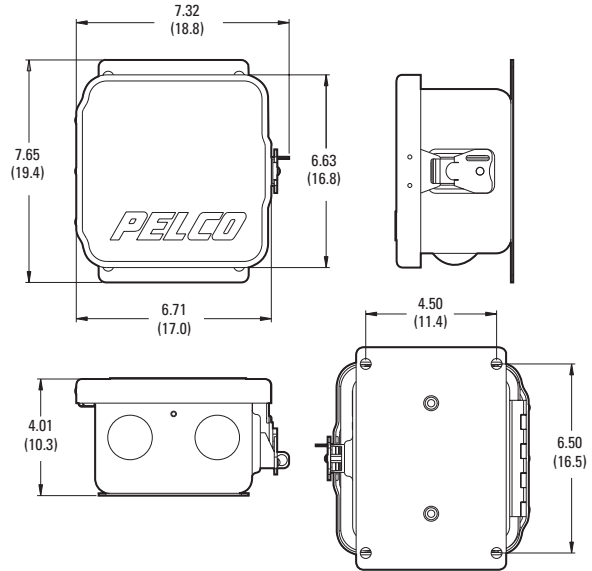
## GENERAL

Environment	Outdoor
Operating Range	-50° to 122° F (-45.56° to 50° C)
Construction	Aluminum
Finish	Gray polyester powder coat
Weight	
	<u>Unit</u> <u>Shipping</u>
WCS1-4	6.8 lb (3.1 kg)      8 lb (3.6 kg)
WCS4-20/4-20B	16.2 lb (7.3 kg)    18 lb (8.1 kg)

\*Individual output cannot exceed this rating, and the total of all outputs cannot exceed the overall rating of the power supply (refer to *Models*).



WCS1-4 POWER SUPPLY



NOTE: VALUES IN PARENTHESES ARE CENTIMETERS; ALL OTHERS ARE INCHES.

The following are the recommended maximum distances (transformer to load) and are calculated with a 10 percent voltage drop. (Ten percent is generally the maximum allowable voltage drop for AC-powered devices.) Distances are calculated in feet; values in parentheses are meters.

### Recommended Wiring Distance Chart

Input Voltage	Total VA Consumed	Wire Gauge		
		20 AWG (0.5 mm <sup>2</sup> )	18 AWG (1.0 mm <sup>2</sup> )	16 AWG (1.5 mm <sup>2</sup> )
24 VAC	25	113 (34)	180 (55)	287 (87)
	50	56 (17)	90 (27)	143 (43)
	70	41 (12)	64 (19)	102 (31)
26 VAC	25	133 (40)	212 (64)	337 (103)
	50	66 (20)	105 (32)	168 (51)
	70	49 (15)	78 (24)	124 (38)
28 VAC	25	155 (47)	246 (75)	392 (119)
	50	77 (23)	122 (37)	195 (59)
	70	55 (17)	88 (27)	135 (41)

## CERTIFICATIONS/RATINGS

- CE
- UL/cUL Listed
- Meets NEMA Type 4X and IP66 standards



**Pelco, Inc. Worldwide Headquarters:**  
 3500 Pelco Way, Clovis, California 93612-5699 USA  
**USA & Canada** Tel: (800) 289-9100 • FAX: (800) 289-9150  
**International** Tel: +1 (559) 292-1981 • FAX: +1 (559) 348-1120  
[www.pelco.com](http://www.pelco.com)

Pelco, the Pelco logo, Spectra, and Esprit are registered trademarks of Pelco, Inc. Product specifications and availability subject to change without notice. ©Copyright 2008, Pelco, Inc. All rights reserved.